

HASTY-BAKE® MODELS 414 & 415



414 (POWDER-COATED FINISH)

“
The three Hasty-Bake
barbecues were the clear
stars of last week’s event.”

DALLAS MORNING NEWS



415 (STAINLESS STEEL)

THE PERFECT SOLUTION FOR LIMITED PATIO SPACE. THE SUBURBAN IS KNOWN AS THE “MINI-WORK HORSE” OF THE HASTY-BAKE PRODUCT LINE. THE REDUCED SIZE IS PERFECT FOR SINGLES, YOUNG FAMILIES OR THE MATURE HOUSEHOLD; IT IS CAPABLE OF SMOKING, BAKING OR GRILLING EVERYTHING FOR A FAMILY DINNER. REGARDLESS OF SIZE, EVERY HASTY-BAKE CHARCOAL OVEN IS HANDCRAFTED WITH ONLY THE FINEST MATERIALS AVAILABLE.

SPECIFICATIONS FOR ALL SUBURBAN MODELS

- SURFACE COOKING SPACE: 289 square inches
- BASE DIMENSIONS: 23”L x 16”D x 38”H
- WEIGHT: 90 lbs.

MODEL 414 SPECIFICATIONS (POWDER-COATED FINISH)

- MATERIALS: Stainless steel front work table
Heavy ¼” dia. nickel-plated cooking grills
20 gauge powder-coated hood and base
18 and 12 gauge galvanized lift and fire box
- WARRANTY: 5 year parts/workmanship and 1 year finish

MODEL 415 SPECIFICATIONS (STAINLESS STEEL)

- MATERIALS: Stainless steel front work table
Heavy ¼” dia. stainless steel cooking grills
20 gauge polished 304 stainless steel hood and base
18 and 12 gauge stainless steel lift and fire box
Stainless steel side work table
- WARRANTY: 10 year parts/workmanship

HASTY-BAKE®

SUBURBAN

SUBURBAN INSTALLATION INSTRUCTIONS AND RECOMMENDATIONS

LOCATION:

- Locate the Suburban grill only in a well-ventilated area.
- Never locate the grill in a building, garage, breezeway, shed or other such enclosed area without an approved ventilation system.
- The grill is not to be located under any overhead unprotected combustible construction.
- The grill may be placed adjacent to non-combustible construction.

CLEARANCES:

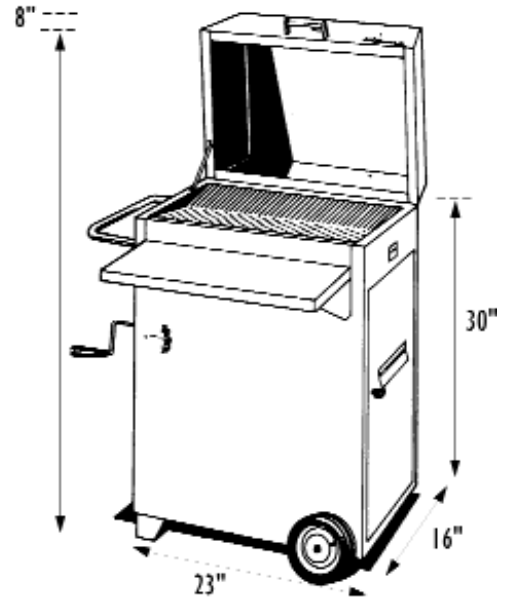
- A minimum of 19" is required above the top of unit to open and close the lid.

RECOMMENDED ACCESSORIES:

- Suburban Cover
- Small Hasty-Bake Rotisserie Kit
- Small Hasty-Bake Baster Pan
- Hasty-Bake Grill Brush
- Hasty-Bake Hardwood Charcoal
- Hasty-Bake Firestarter
- Firelighters
- Hasty-Bake Grilling Towel
- Hasty-Bake Cutting Board
- Hasty-Bake Grill Lifter

Don't Forget the Hasty-Bake Seasonings:

- Hasty-Bake BBQ Sauce
- Gourmet Greek
- Lemon Pepper and
- Award-winning Rub N' Spice



Total Height: 38"
Total Width: 23"
Front Table: 9"x20¹/₂"
Hood Height: 8"
Push Handle (Model 414): 6"
Push Handle (Model 415): 11¹/₂"

HASTY-BAKE®

P.O. Box 4609 Tulsa, OK 74159
(918) 665-8220 or 1-800-4AN OVEN (1-800-426-6836)
Fax: (918) 665-8225

www.hastybake.com

© Hasty-Bake, 2007